

Voyager[®]

Right Side Camera VCMS142R

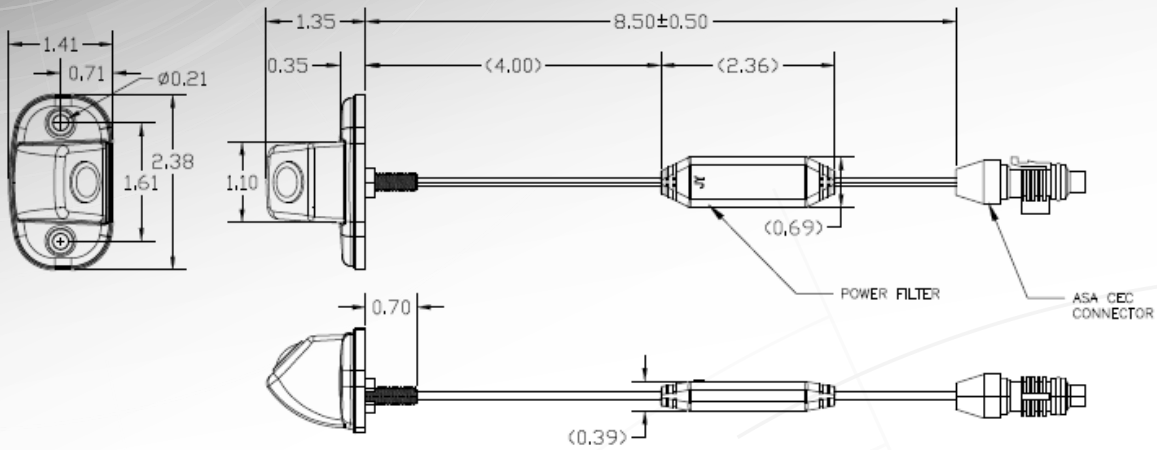


KEY FEATURES

- High-performance color optics
- 1/3" CMOS sensor
- 700 TV line resolution
- Waterproof IP69K
- Black impact-resistant aluminum housing
- Compact size (2.38" x 1.41" x 1.35")
- Surface mount installation

Voyager®

Right Side Camera VCMS142R



General Specifications:

Power System	12V DC	
Operating Voltage Range	10V – 16V DC	
Current Draw	80mA	
Operating Temperature Range	-22°F to 185°F	-30°C to 85°C
Storage Temperature Range	-40°F to 185°F	-40°C to 85°C
Operating Relative Humidity	100% RH	
Waterproof Rating	IP69K	
Overall Dimensions (with bracket)	2.38" x 1.41" x 1.35"	61 x 36 x 35 mm
Product Weight (unpackaged)	4 oz	

Optical Specifications

Video Output Signal Format	NTSC	
Video Signal Output Level	1.0V p-p ; 75Ω	
CMOS Specifications	Sensor	1/3" CMOS 2099
	Iris/Shutter Type	Electronic Automatic
	Shutter speed	1/60 s ~ 12 μs
	Resolution	700 TV Lines
	Effective pixel	1280 H x 960 V
	Sensitivity	/
	Image Orientation	Mirror
	View Angles	D
	H	125°
	V	87°